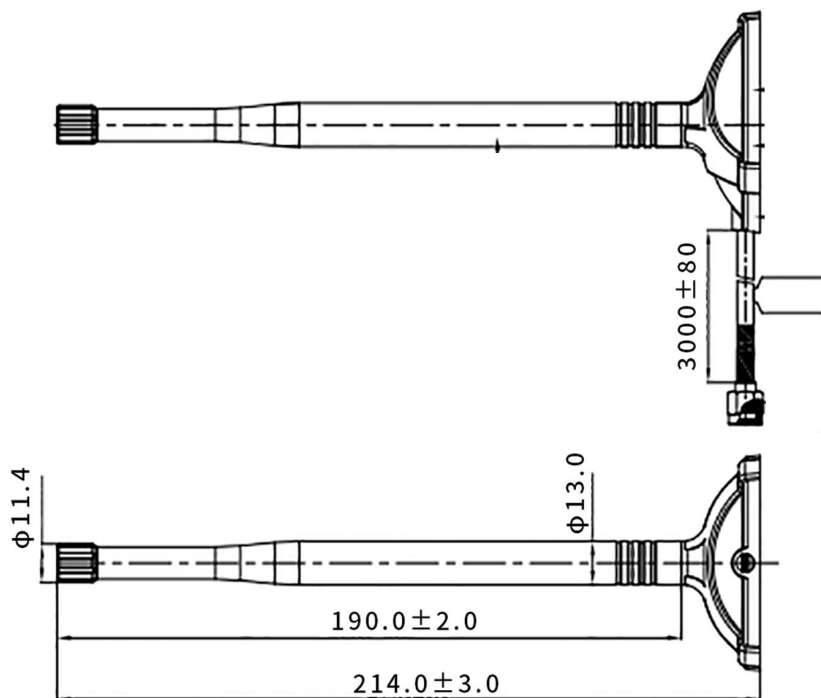


Wi-Fi DUAL-BAND MAGNETIC MOUNT ANTENNA

PN: E003202



Parameter	Rated Value	
Frequency Range	2.4 ~ 2.5 GHz	5.15 ~ 5.85 GHz
Gain	3.1 dBi	2.4 dBi
V.S.W.R	2.0 Max	
Polarization	Linear	
Impedance	50 Ohm	
Connector	RP-SMA male	
Cable	RG 174, 3000 mm	
Mounting Method	Magnet	
Operating Temperature	-40°C ~ 85°C	
RoHS Compliant	√	
Related Products	R1510, R1520, R1511, R1511P, R2000, R2000 Lite, R2000 Dual, R2000 Ent, R2110, R2010, R2011, R3000, R3000 Quad, R5020	



Unit: mm